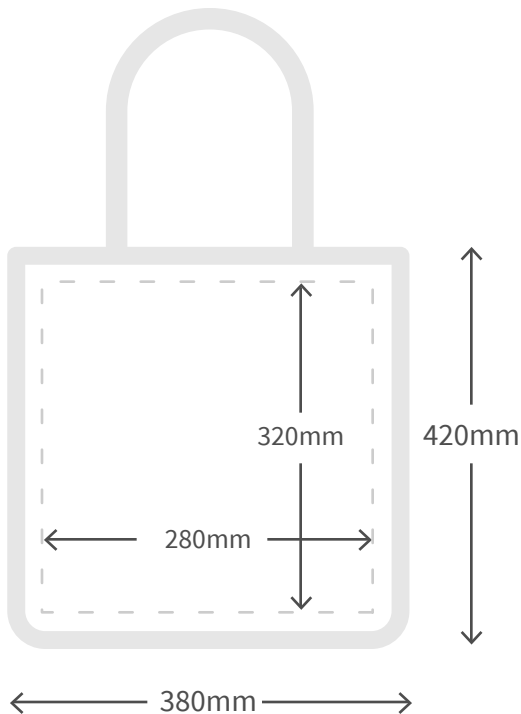




INTRODUCTION TO
COLOURED COTTON BAGS

Cotton is a natural soft fibre that grows from the seeds of the cotton plant. The fibre is long and thin like hair and once it's harvested from the plant, it can then be made into thread, which is then made into cloth, which we then use to make our bags.



WEIGHT
5 oz

HANDLE TYPE
Long (660mm)

COLOURS AVAILABLE
Yellow, Red, Pink, Purple, Green, Light Blue and many more

DIMENSIONS (mm)
380 x 420

PRINT AREA (mm)
Long (660mm)

PRINTING TECHNIQUES
Screen Printing, DST, Transfer

PANTONE MATCHES
(Colours available)

- WHITE
- BLACK
- COOL GREY 6
- 121 - YELLOW
- 1655 - ORANGE
- 186 - RED
- 2039 - PINK
- 7670 - PURPLE
- 287 - ROYAL BLUE
- 2170 - LIGHT BLUE
- 539 - NAVY BLUE
- 2257 - GREEN
- NATURAL

WE HAVE OTHER TOTE BAGS AVAILABLE. CHECK THEM OUT!